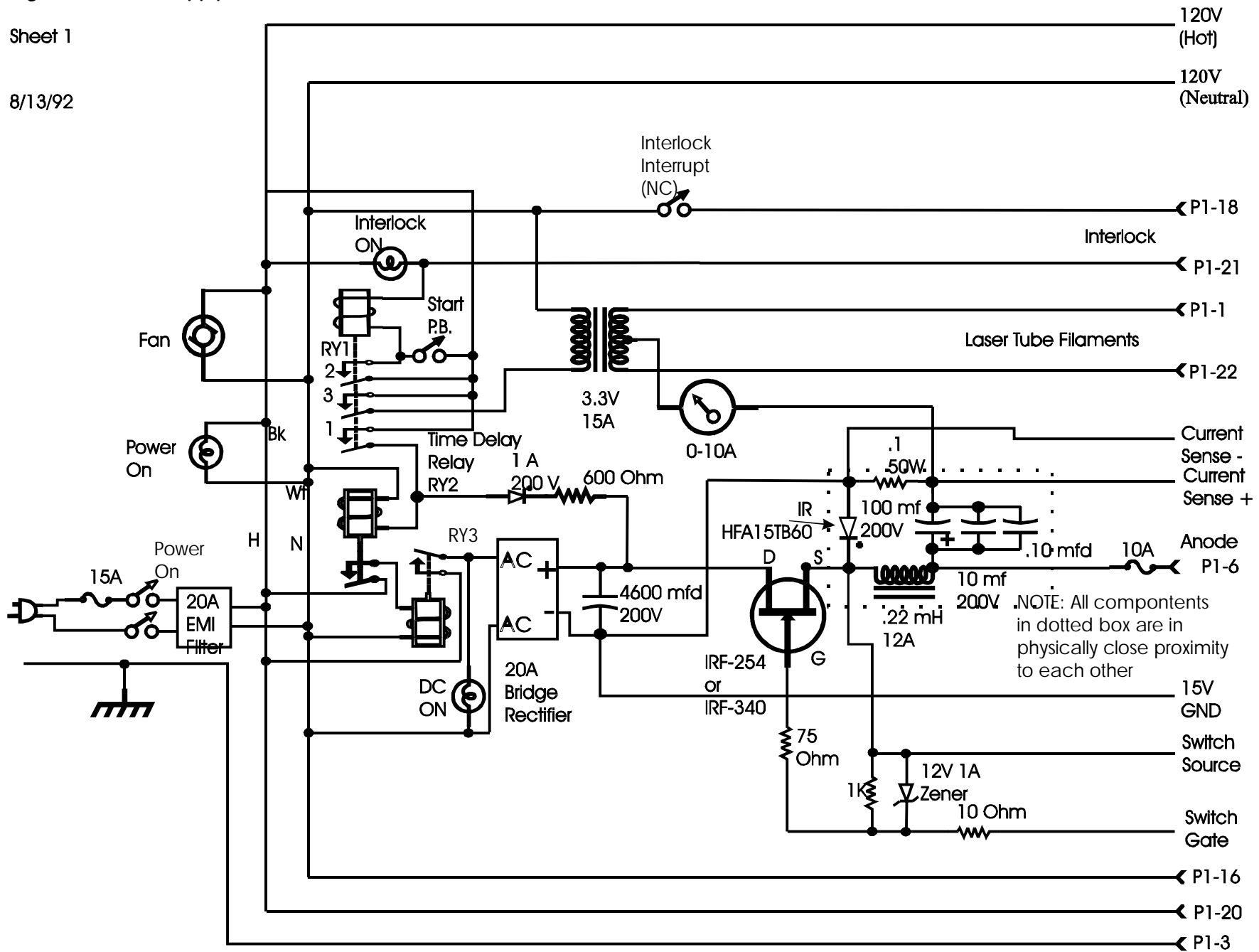


Argon Laser Power Supply

Sheet 1

8/13/92

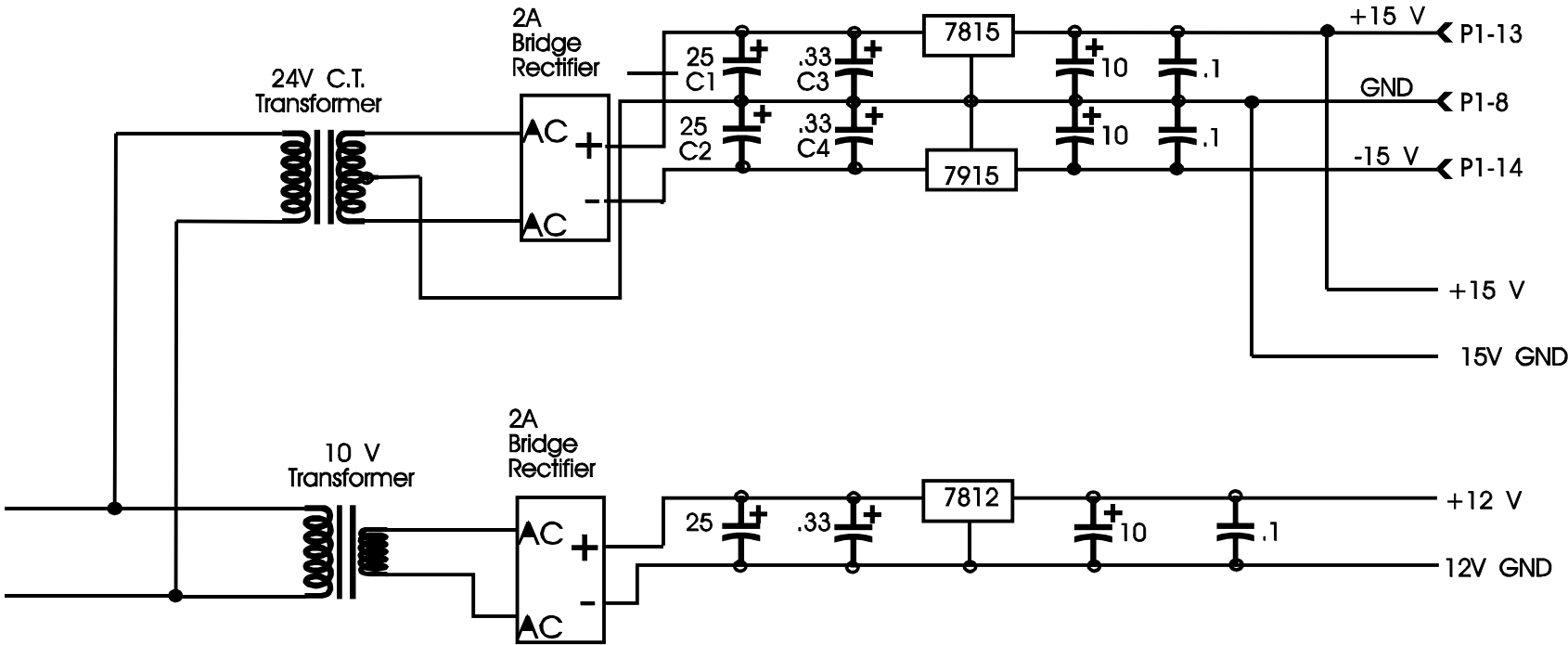


Argon Laser Power Supply

Low Voltage Power Supplies

Sheet 2

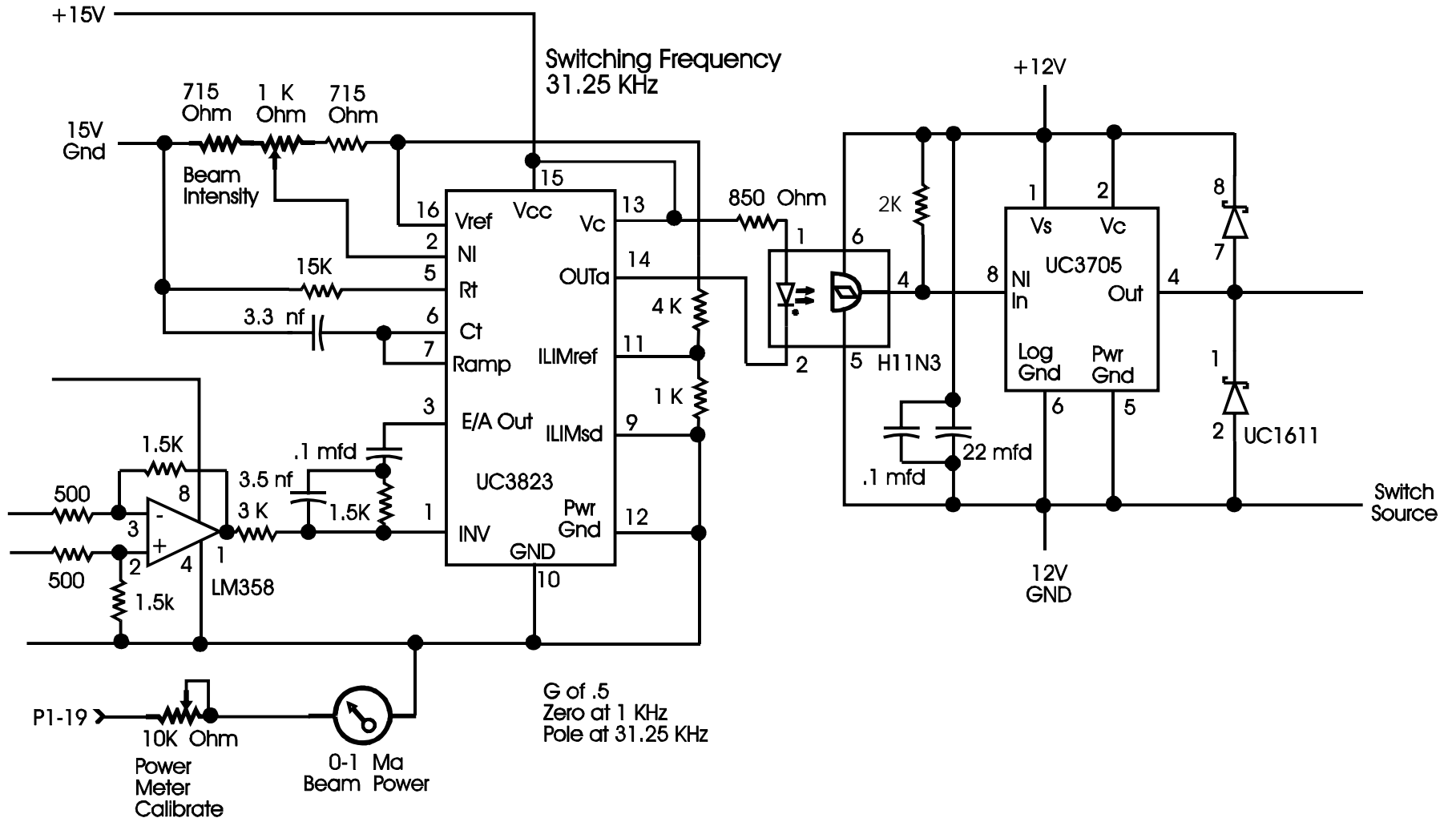
7/28/92



Argon Laser Power Supply

Driver Electronics

Sheet 3



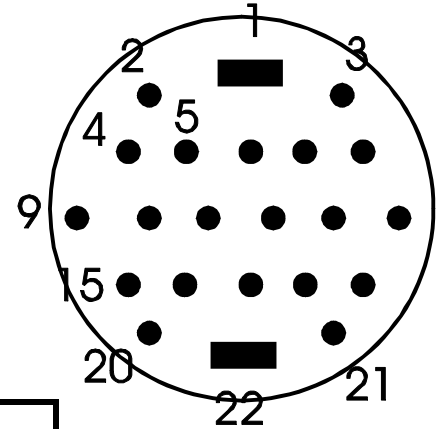
Argon Laser Power Supply

Sheet 4

Connector/Cable layout

NEC GLG 3030†

8/17/92



Wire Color	Pin Number	Description
Red/White	1	Filament/Cathode
Red/Green	22	Filament/Cathode
	9	Output control pot-end
	10	Output control pot-end
	15	Output control pot-wiper
Grey/Green	3	Chassis ground
	2 , 5	Interlock loop
Red/Black	6	Anode
Grey/White	16	110 V for fan (hot)
Grey/Black	20	110 V for fan (Neutral)
Grey/Orange	18	Thermal cutout & fan interlock
Grey/Purple	21	Thermal cutout & fan interlock loop (with pin 18)
Grey/Pink	14	-15 V DC
Grey/Grey	8	Ground for -15V and +15V
Grey/Red	13	+15V DC
Grey/Yellow	19	Power feedback (.2V/Mw)