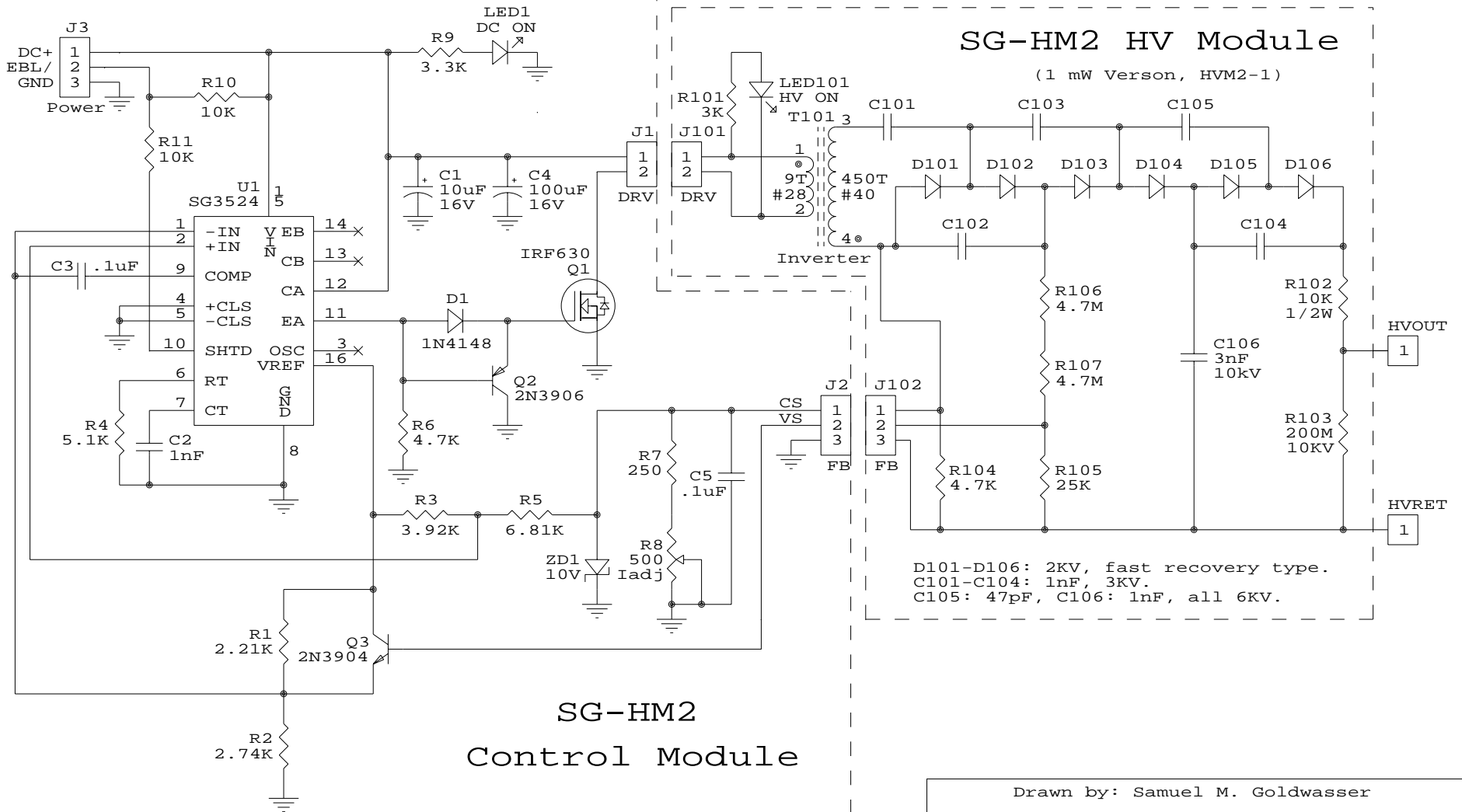


# Sam's Modular HeNe Laser Power Supply 2 (SG-HM2)



D101-D106: 2KV, fast recovery type.  
 C101-C104: 1nF, 3KV.  
 C105: 47pF, C106: 1nF, all 6KV.

Drawn by: Samuel M. Goldwasser		
sam@repairfaq.org		
Title		
Sam's Modular HeNe Laser PSU 2 (SG-HM2)		
Size	Document Number	REV
A	SG-HM2-SCH	1.3
Date:	April 20, 2003	Sheet 1 of 1