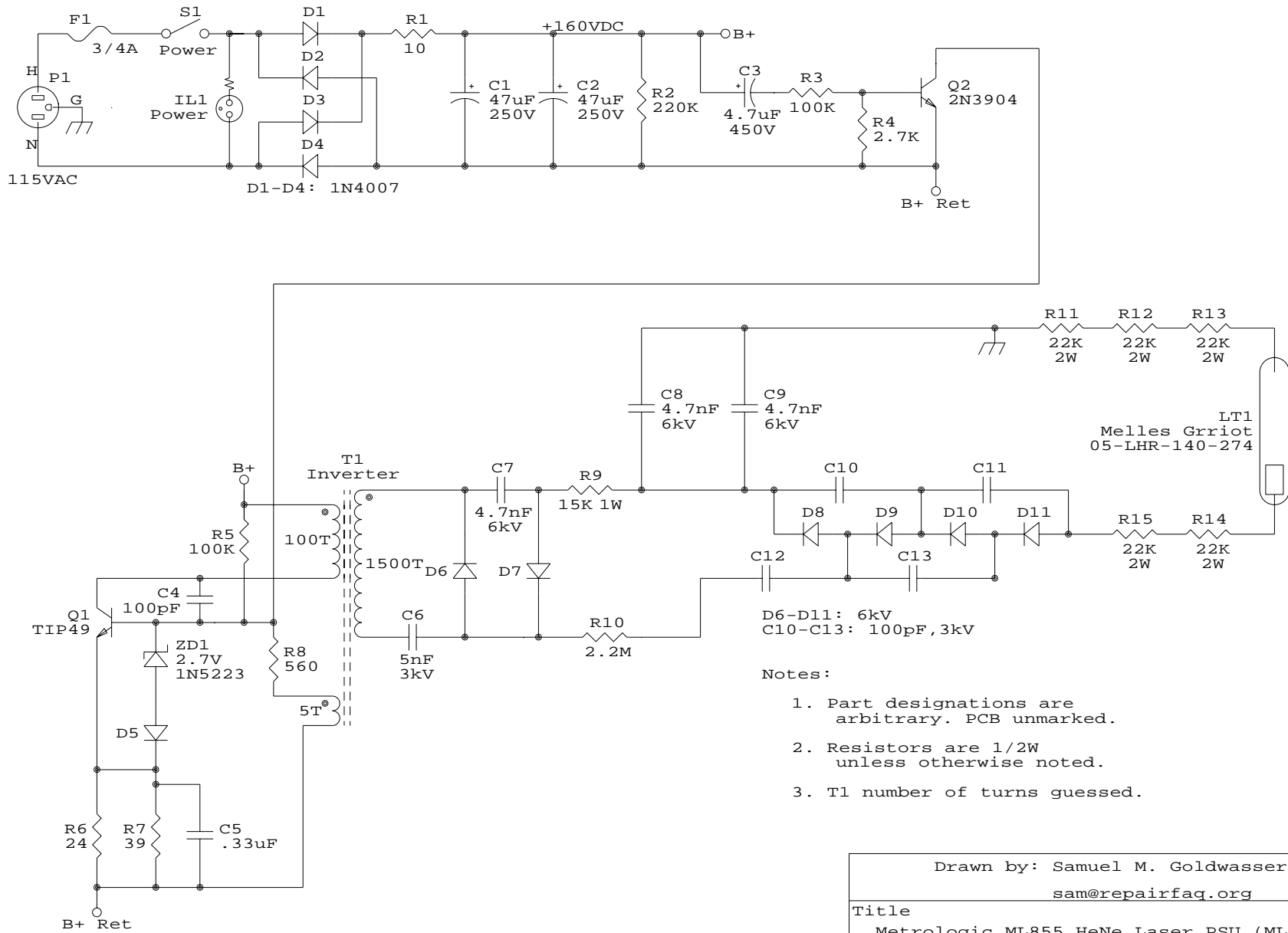


Metrologic ML855 HeNe Laser PSU (ML-855)



- Notes:
1. Part designations are arbitrary. PCB unmarked.
 2. Resistors are 1/2W unless otherwise noted.
 3. T1 number of turns guessed.

Drawn by: Samuel M. Goldwasser		
sam@repairfaq.org		
Title		
Metrologic ML855 HeNe Laser PSU (ML-855)		
Size	Document Number	REV
A	ML-855-SCH	1.0
Date:	August 15, 2002	Sheet 1 of 1