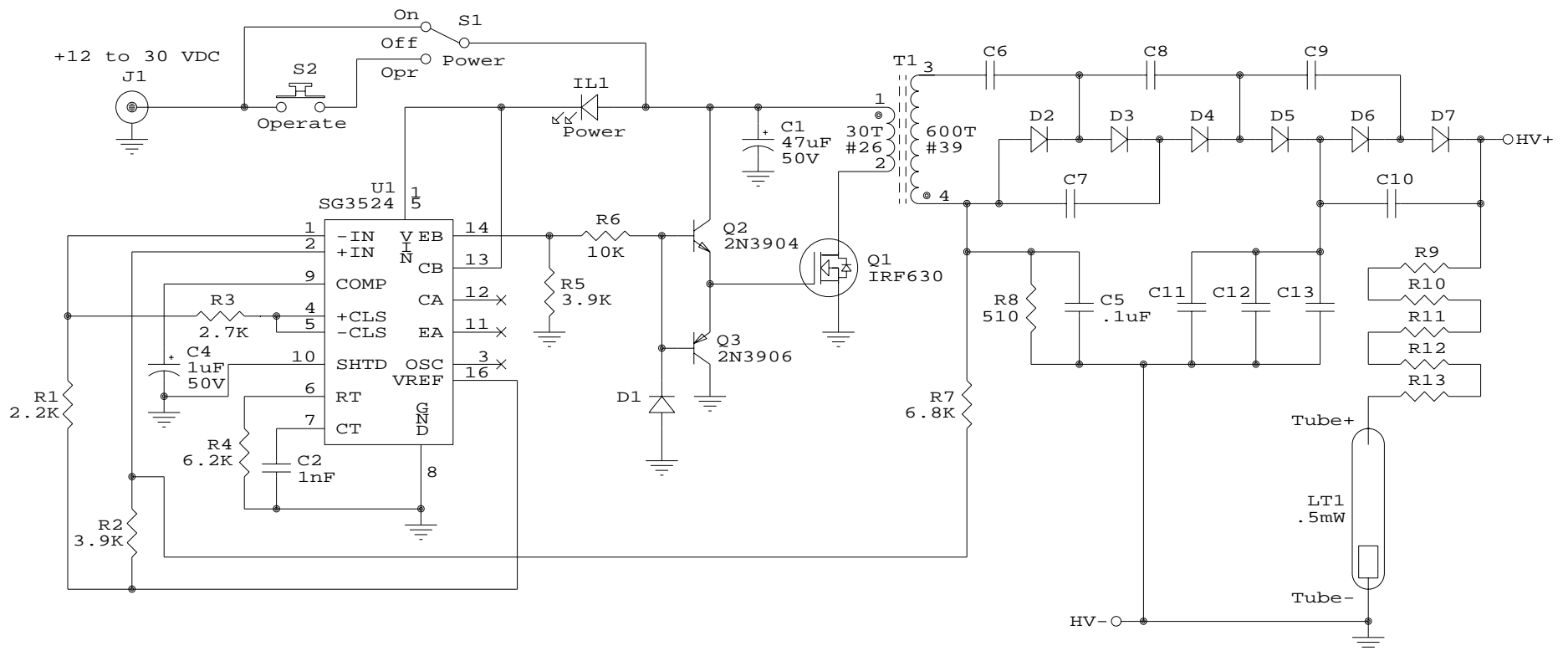


Metrologic ML811 HeNe Laser PSU (ML-811)



Notes:

1. D2-D7: 3KV, fast recovery type.
2. C6-C8, C10-13: 1nF, C9: 4.7pF, all 3KV.
3. R8-R12: 18K, 1/2W.
4. Input voltage range from Metrologic specs.
5. Turns ratio of T1 guessed. :-)

Drawn by: Samuel M. Goldwasser

sam@repairfaq.org

Title		
Metrologic ML811 HeNe Laser PSU (ML-811)		
Size	Document Number	REV
A	ML-811-SCH	1.2
Date:	April 3, 2003	Sheet 1 of 1